



Gear Wheel Flowmeter for Viscous Liquids

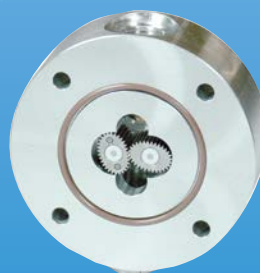


measuring
•
monitoring
•
analysing

DON



- Measuring range:
0.5 ... 36 l/h und 150 ... 2500 l/min
- Viscosity range: 0...1000 cP
(higher on request)
- Accuracy: $\pm 0,2\%$... 1% of reading
- Material: aluminium or stainless steel
- p_{\max} : 100 bar; t_{\max} : 120 °C
- Pulse output, LCD display, 4...20 mA,
alarms, mechanical register



S4

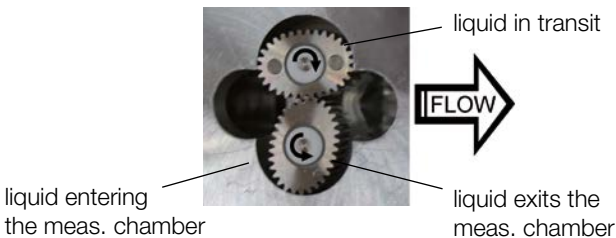
KOBOLD companies worldwide:

ARGENTINA, AUSTRIA, BELGIUM, BULGARIA, CANADA, CHILE, CHINA, COLOMBIA, CZECHIA, DOMINICAN REPUBLIC, EGYPT, FRANCE, GERMANY, GREAT BRITAIN, HUNGARY, INDIA, INDONESIA, ITALY, MALAYSIA, MEXICO, NETHERLANDS, PERU, POLAND, ROMANIA, SINGAPORE, SOUTH KOREA, SPAIN, SWITZERLAND, TAIWAN, THAILAND, TUNISIA, TURKEY, USA, VIETNAM

KOBOLD Messring GmbH
Nordring 22-24
D-65719 Hofheim/Ts.
Head Office:
+49(0)6192 299-0
+49(0)6192 23398
info.de@kobold.com
www.kobold.com

Principle of Operation

The Oval Gear meters are positive displacement flowmeters where the passage of liquid causes two oval gears to rotate within a precision measuring chamber and with each rotation a fixed volume of liquid passes through the meter. Magnets embedded within the gears initiate a high resolution pulse train output. The pulse output can be wired directly to process control and monitoring equipment or can be used as an input to instruments supplied with or fitted directly onto the meter. The flowmeter is available as a blind transmitter with pulse output capable of interfacing to most monitoring and control instrumentation or the meter can be fitted with or supplied with instruments such as totalisers, rate totalisers or batch controllers. These instruments also have monitoring and control output options including 4-20 mA, scaled pulse, flowrate alarms and batch control logic (preset metering).



This technology allows precise flow measurement and dispensing of most clean liquids regardless of their conductivity, with other liquid characteristics having no or minimal effect on meter performance. This metering technology does not require flow profile conditioning or straightline runs as required with alternative flow technologies making the installation relatively compact and low cost.

Positive displacement flowmeters are an inexpensive means to accurately meter high viscosity clean liquids as high as 1 million centipoises however, the appropriate meter must be sized so that the pressure drop across the primary measuring elements (oval rotor), does not exceed the maximum capability of either.

Areas of Application

For all viscous, non abrasive clean liquids like:

- Petroleum
- Grease
- Pastes
- Oil
- Fuels
- Water
- Chemicals
- Ink etc.

Stainless steel flowmeters are suited to most water based products and chemicals and aluminum meters are suitable for fuels, fuel oils & lubricating liquids.

Technical Data

Material

DON-1	
Body:	aluminium
Gear wheels:	PPS GF30/PTFE
Axes:	stainless steel 1.4404
DON-2	
Body:	stainl. steel 1.4404 DON-x05...DON-x15 stainl. steel 1.4404/1.3955 DON-x20...DON-x60
Gear wheels:	stainl. steel 1.4404 DON-x05...DON-x40 stainl. steel 1.3955 DON-x45...DON-x60

Bearing:	carbon graphite
Axes:	stainless steel 1.4404
DON-8	
Body:	stainl. steel 1.4404 DON-x05...DON-x15 stainl. steel 1.4404/1.3955 DON-x20...DON-x60
Gear wheels:	PPS GF30/PTFE
Axes:	stainless steel 1.4404
O-rings:	medium temperature FKM: -20...+120 °C NBR: -20...+100 °C FEP-O-seal/EPDM: -20...+150 °C
Cover for cable connection:	polyamide PA6 GF35 UL94 HB/VO stainless steel 1.4404 (optional)
Accuracy:	±1% of reading (DON-x05...DON-x15) ± 0.5% of reading (DON-x20...DON-x60) ± 0.2% of reading (DON-x20...DON-x60; with optional Z3/E3-electronics based on linearization function) ±1% of reading (option M)
Repeatability:	typ. ± 0.03 %
Protection class:	IP 66/67 (IP65 for M4)
Medium temp.:	-20 °C... +80 °C for options L0, Z, M4 and -20 °C... +120 °C for pulse output and options Z with cooling fins
Ambient temp.:	-20 °C... +80 °C, option M4 0 °C... +60 °C
Cable entry:	M20 x 1.5, ½" NPT adapter

- ATEX-approval (option E1/E3):
(option HE, DE, GE, LE, RE):
- Ⓔ II 2G EEx ia IIB T4 (-20 °C ≤ Ta ≤ +60 °C)
 - Ⓔ II 2G Ex d IIC T6 (-20 °C ≤ Ta ≤ +70 °C)
 - Ⓔ II 2G Ex d IIC T4 (-20 °C ≤ Ta ≤ +120 °C)
 - Ⓔ I M2 Ex d I Mb (st. steel models only)

Maximum Pressure (threaded version)

Model	Maximum pressure (bar)			
	DON-1	DON-2/8	DON-1.. (Option-M4)	DON-2/8 (Option-M4)
DON-x05	64	100	-	-
DON-x10			-	-
DON-x15			-	-
DON-x20			40	40
DON-x25	30			
DON-x30				
DON-x35	40	50		
DON-x40	16	16	16	16
DON-x45				
DON-x50				
DON-x55				
DON-x60				

with flanges, maximum pressure rating as above or as per flange rating, whichever is lower



Recommended Filter

DON-x05...DON-x15 < 75 µm micron (200 mesh)
 DON-x20...DON-x35 < 150 µm micron (100 mesh)
 DON-x40...DON-x60 < 350 µm micron (45 mesh)

Pulse Output

Reed switch pulse output (...R0/RE)

The reed switch output is a two wire normally open SPST voltage free contact ideal for installations without power or for use in hazardous area locations when Intrinsically Safe (I.S.) philosophy is adopted.

Note: when using the reed switch output the liquid temperature must not change at a rate greater than 10°C per minute.

Average switching life of reed contact (MTTF):

max. Load (100 V/10 mA) 5×10^5 switching cycles

min. Load (<5 V/10 mA) 5×10^8 switching cycles

Power supply: max. 30 V_{DC}, max. 200 mA

Hall sensor pulse output (...HO/HE)

In the electronics options HO/HE, a Hall Effect sensor is combined with an active push-pull output. The electrical connection is provided in 3-wire version. The output is actively switched either to +Vs or to ground. The external supply voltage is 8...30 V_{DC}. No additional external circuit is required (e.g pull up resistor). The high signal is approximately equal to the supply voltage +Vs and the low signal is approximately 0 V. The electrical load may optionally be connected to the supply voltage or to GND.

Maximum output current (current source or sink): 100 mA (short circuit protected).

High-resolution Hall sensor pulse output, (...GO/GE)

Like options HO/HE; model DON-x05 and DON-x10 can be supplied with four times the count of pulses per liter (see table «Output Pulse Resolution» on the following pages).

Quadrature hall effect pulse output (...D0/DE)

DON instrument with option D0/DE is provided with two independent Hall sensors. The two hall effect sensors are arranged to give separate outputs out of phase with one another.

The QUAD output is mostly suitable for custody transfer with redundant signal or for detecting bidirectional flows (detection of flow direction).

Maximum output current per channel (current source or sink): 100 mA (short circuit protected).

Option LO/LE

The options LO and LE (Ex) are available with loop powered 4-20 mA output. The loop is supplied with an external power supply 16...32 V_{DC}. The maximum resistance of the series loads (PLC analog input/display electronics) depends on the magnitude of the supply voltage and can be calculated as:

Max. load [Ohm] = $(+Vs - 9 V_{DC}) / 0.02 A [\Omega]$

Example: +Vs = 32 V_{DC} => max. load = 1150 Ω

+Vs = 16 V_{DC} => max. load = 350 Ω

The load can be inserted at any point in the current loop, however with correct polarity.

Mechanical totaliser (...M4)

The flowmeters type DON-x20... up to DON-x60... are available with a mechanical totaliser with a 4-digit resettable totaliser and indication of accumulated total value. The motion of the rotors is transmitted to the mechanical register totaliser via an interfacing reduction gear train and dynamic seal assembly.

Option M4 is available for volume units litre and gallon.

Body material: enamelled die-cast aluminium, powder-coated

Protection: IP65

Ambient temp.: 0...+60°C

Medium temp.: -20...+80°C



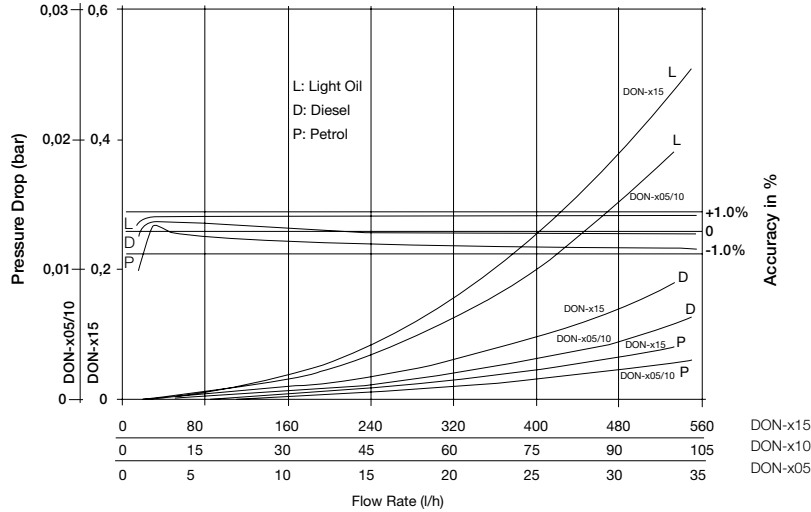
Electronic with LCD display

Model	..Z1	..Z2	..Z3	..E1	..E3
Function	dual totaliser	Dosing unit	Rate/Counter	dual totaliser	Rate/Counter
Power supply					
Battery-powered (outputs inactive)	yes	no	yes	yes	yes
External (also for backlighting)	8 - 24 V _{DC}	12 - 24 V _{DC}	8 - 24 V _{DC}	8 - 24 V _{DC}	8 - 24 V _{DC}
LCD display					
Selectable units	yes	yes	yes	yes	yes
Decimal point	yes	yes	yes	yes	yes
Accumulative total	yes	yes	yes	yes	yes
Resettable total	yes	yes	yes	yes	yes
Linearisation	no	no	yes	no	yes
Rate display	yes	yes	yes	no	yes
Backlighting	yes	yes	yes	no	yes
Input					
Un-powered sensors	Reed switch				
Powered sensors	Hall sensor				
Outputs					
4-20 mA	no	no	yes	no	yes
Flow rate Alarm min./max.	no	no	NPN/PNP/PP	no	NPN/PNP/PP
Batch end & control	no	yes	no	no	no
Pulse outputs	no	no	PP	no	PP
2 x SPDT relays	no	yes	option	no	option
Installation					
IP 65	yes	yes	yes	yes	yes
Cable entries	M20x1,5/1/2" NPT	M20x1,5/1/2" NPT	M20x1,5/1/2" NPT	M20x1,5/1/2" NPT	M20x1,5/1/2" NPT
Ambient temperature range	-20 ... +80 °C			0 ... +60 °C	
Housing material	PA6 GF35 UL94 HB/VO/PC UL94 V-2				
ATEX approval	no	no	no	yes	yes

*replaces solid state outputs

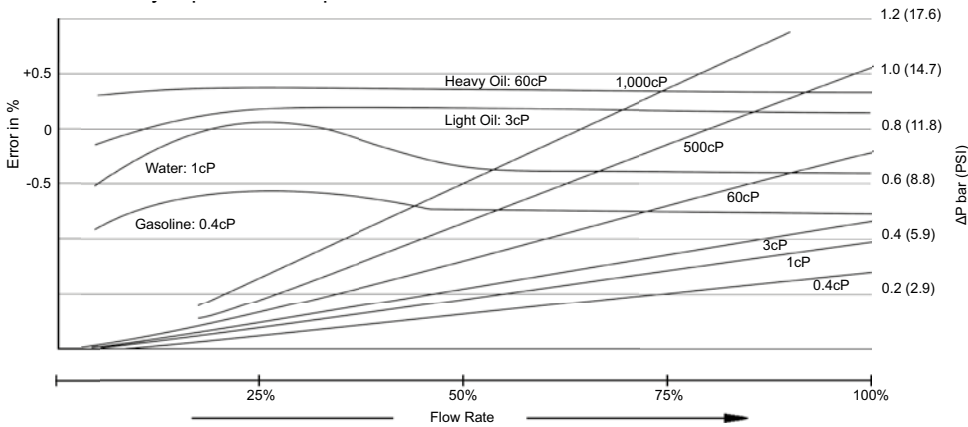


Accuracy and Pressure Drop for DON-x05/10/15...

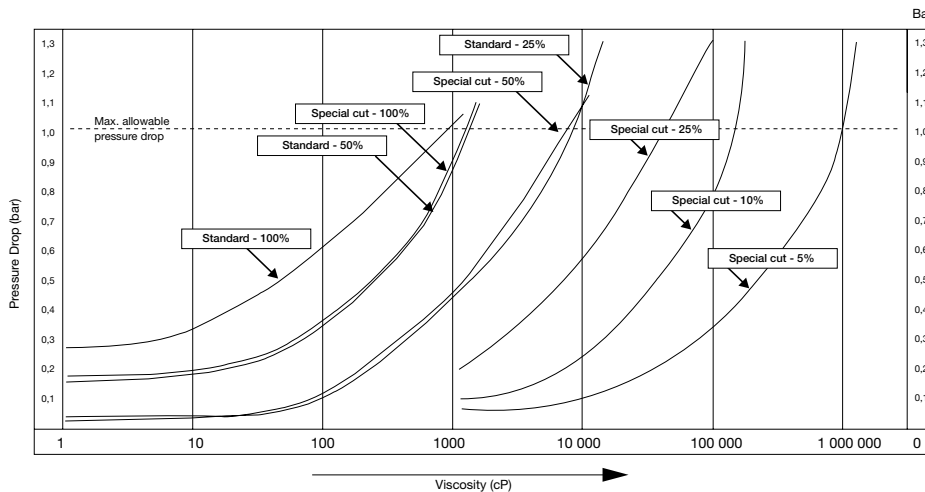


Accuracy and Pressure Drop for DON-x20... and above

(Note: can also be used for DON-X05/10/15 for different fluids or viscosities not specifically covered in top graph)



Pressure Drop Curves for Standard and Special Cut Rotors (option "S") in %age of max. Flow



Pressure drop limit verses flowrate

The curves above represent the pressure drop for standard and special cut high viscosity oval rotors at various viscosities. Special cut rotors have alternate tooth relieve which

effectively reduces the pressure drop by 50%. When sizing a meter, be sure your selection falls on or below the 1 bar maximum allowable pressure drop line on the graph.



Maximum Flowrate Multiplier (for higher viscosities)

Viscosities (cP)	Standard rotor	Special cut rotor
≤ 1000	1	1
≤ 2000	0.5	1
≤ 4000	0.42	0.84
≤ 6000	0.33	0.66
≤ 8000	0.25	0.5
≤ 30000	0.15	0.3
≤ 60000	0.12	0.25
≤ 150000	0.1	0.2
≤ 250000	0.05	0.1
≤ 1000000	0.025	0.05

Special cut rotors for higher viscosities

For viscosity > 1000 cP, special cut rotors option "S" should be used to reduce pressure drop. This applies to DON-x15 and larger sizes. For higher viscosities, the flowmeter max. Flowrate is de-rated according to the attached chart.

Example: DON-x25 measuring oil at 8000 cP, max. flow 150 LPM x 0.5 = 75 LPM new maximum flow rate.

Output Pulse Resolution

Model	Measuring range [l/min]	Pulse/litre			Hall sensor, high-resolution
		Reed switch	Hall sensor	Quadr. hall sensor	
DON-x05	0.5 - 36 l/h	2800	2800	2800	11200
DON-x10	2 - 100 l/h	1050	1050	1050	4200
DON-x15	15 - 550 l/h	355	710	710	-
DON-x20	1 - 40	83	166	166	-
DON-x25	10 - 150	27	107	53.5	-
DON-x30	15 - 250	13	52.6	26.3	-
DON-x35	30 - 450	6.5	26	13	-
DON-x40	50 - 580	4.93	19.73	9.86	-
DON-x45	35 - 750	2.32	9.3	4.65	-
DON-x50	50 - 1000	1.55	6.2	3.1	-
DON-x55	75 - 1500	1.1	4.4	2.2	-
DON-x60	150 - 2500	0.56	2.24	1.12	-



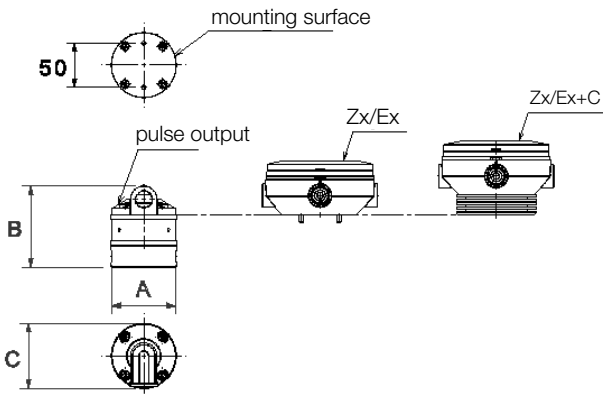
Order details (Example: DON-105H R1 1 L0 M 0)

Measuring range [l/min]	Housing material			Connection	O-Ring Material	Electronics	Cable gland	Option
	Aluminium with PPS Rotor	Stainless steel	St. steel with PPS Rotor					
0.5 - 36 l/h	DON-105	DON-205	DON-805	R1 = G 1/8 N1 = 1/8" NPT	1 = FPM 3 = FEP-O-seal 4 = NBR	L0 = 4 ... 20 mA loop powered analogue output LE = as L0 + ATEX (Exd) R0 = Reed switch pulse output RE = Reed switch pulse output ATEX (Exd) H0 = Hall sensor (Push-Pull)/reed switch pulse output HE = as H0 + ATEX (Exd) G0 ²⁾ = high resolution hall sensor (Push-Pull) GE ²⁾ = as G0 + ATEX (Exd) D0 = Quad. Hall sensor 2 phased outputs (Push-Pull) DE = as D0 + ATEX (Exd) Z1 = dual LCD totaliser Z2 = Dosing unit LCD Z3 = LCD totaliser, rate, outputs: 4-20 mA, alarm, pulse (ZOK-Z3) (impulses not for battery supply) E1 = as Z1 + ATEX (Exi) E3 = as Z3 + ATEX (Exi) M4 = mech. totaliser 4-digit	0 = without (only for option M4) M = M20 N = 1/2" NPT	0 = without C = cooling fin for LCD electronic K = check valve (from DON-x30...) S = special cut rotors for higher viscosities Y = special option (specify in clear text)
2 - 100 l/h	DON-110	DON-210	DON-810	R2 = G 1/4 N2 = 1/4" NPT				
15 - 550 l/h	DON-115	DON-215	DON-815	R3 = G 3/8 N3 = 3/8" NPT				
1 - 40	DON-120	DON-220	DON-820	R4 = G 1/2 N4 = 1/2" NPT				
10 - 150	DON-125	DON-225	DON-825	R6 = G 1 N6 = 1" NPT F6 = DIN flange PN40 (DN25) A6 = ANSI flange 150 lbs (1") B6 = ANSI flange 300 lbs (1")				
15 - 250	DON-130	DON-230	DON-830	R8 = G 1 1/2 N8 = 1 1/2" NPT F8 = DIN flange PN40 (DN40) A8 = ANSI flange 150 lbs (1 1/2") B8 = ANSI flange 300 lbs (1 1/2")				
30 - 450	DON-135	DON-235	DON-835	R9 = G 2 N9 = 2" NPT F9 = DIN flange PN40 (DN50) A9 = ANSI flange 150 lbs (2") B9 ¹⁾ = ANSI flange 300 lbs (2")				
50 - 580	DON-140	DON-240	DON-840					
35 - 750	DON-145	DON-245	DON-845	RB = G 3 NB = 3" NPT FB = DIN flange PN16 (DN80)				
50 - 1000	DON-150	DON-250	DON-850	AB = ANSI flange 150 lbs (3")				
75 - 1500	DON-155	DON-255	DON-855	RC = G 4 NC = 4" NPT FC = DIN flange PN16 (DN100)				
150 - 2500	DON-160	DON-260	DON-860	AC = ANSI flange 150 lbs (4")				

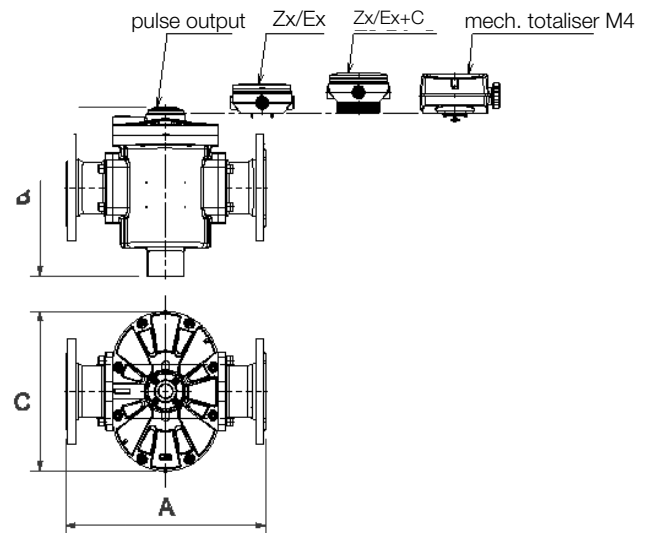
¹⁾ only for DON-x35
²⁾ only for DON-x05 and DON-x10

Dimensions DON-1(2/8)...

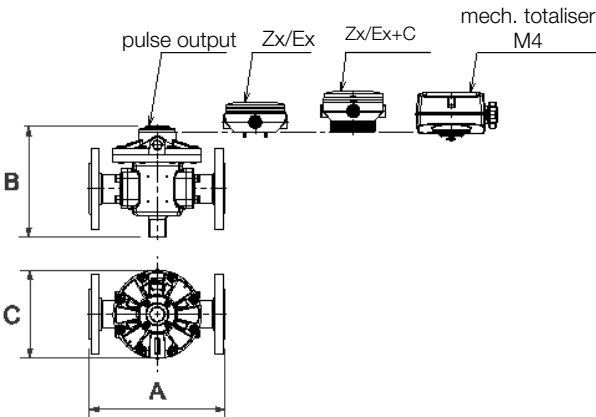
DON-x05 DON-x15



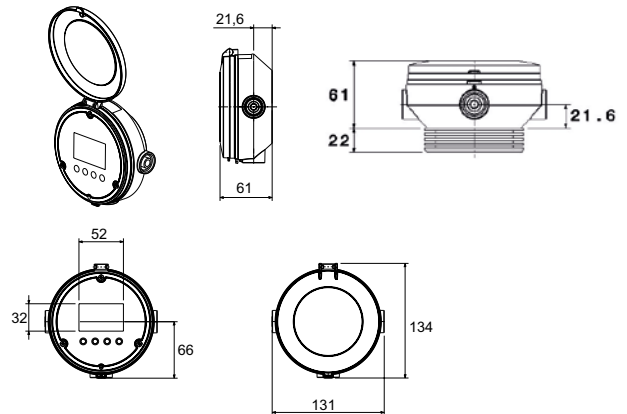
DON-x45 DON-x60



DON-x20 DON-x40



Electronic with LCD display / Zx/Ex



Dimensions DON-1(2/8).... (± 2 mm)

Model	A [mm]		B [mm]			C [mm]		
	Thread connection	Flange connection	Pulse output	Zx/Ex	Mechanical totaliser M4	Pulse output	Zx/Ex	Mechanical totaliser M4
DON-x05	68	-	92	131	-	72	134	-
DON-x10	68	-	92	131	-	72	134	-
DON-x15	68	-	99	138	-	72	134	-
DON-x20	110	-	105 (101)	134 (130)	182 (178)	112	134	165
DON-x25	176	237	136	165	194	120	134	170
DON-x30	188	252	166	195	223	163	163	200
DON-x35	212	277	172	201	244	180	180	200
DON-x40	212	277	246	275	299	180	180	200
DON-x45	266	354	232	261	284	238	238	239
DON-x50	294	382	229	258	302	290	290	290
DON-x55	294	388	274	303	347	290	290	290
DON-x60	320	414	351	380	424	331	331	331

Note: Dimensions for DON-2/8... are specified in () only when they are different from DON-1...